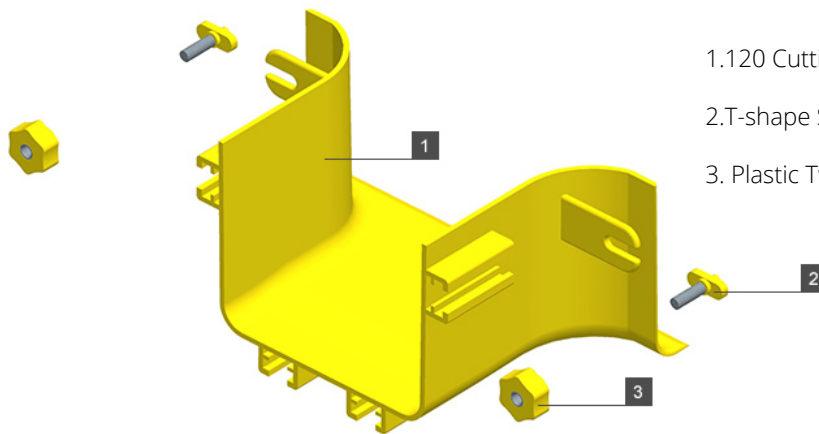
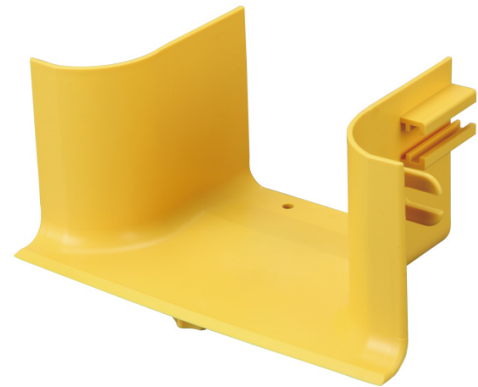


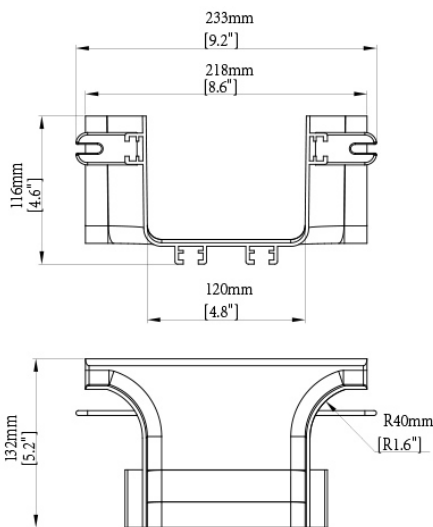
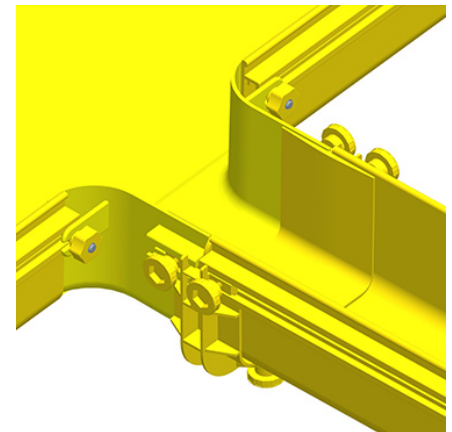
Giganet 120mm Cutting in Tee attaches to 4"x10" channel to create a 90° horizontal elbow from anywhere of a straight horizontal run.

FEATURES

Network Reliability
Reduction in installation time and cost
Enable future expansion
Flame retardant material rated GB/T2048-2008 FV-0
RoHS and ABS compliant
Ideal solution for optical raceway requirement and application



- 1. 120 Cutting in Tee x1
- 2. T-shape Screw x2
- 3. Plastic Twist Nut x2



PRODUCT INFORMATION

Part Number	Product Description
GN-100-120-CT	Giganet 120mm Cutting in Tee