

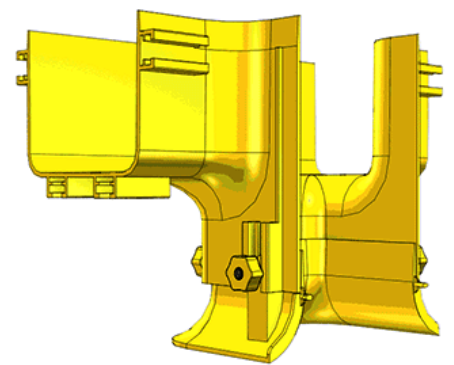
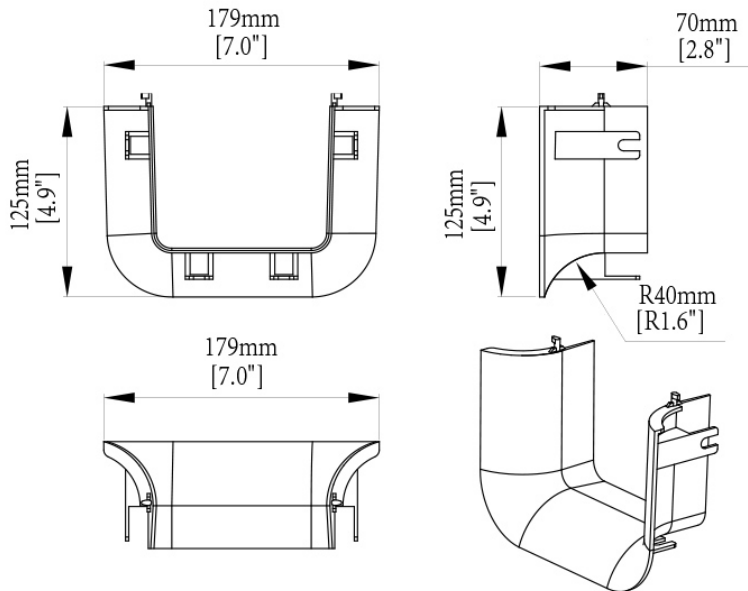
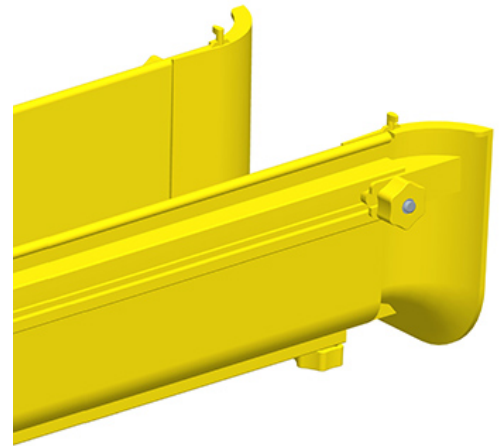
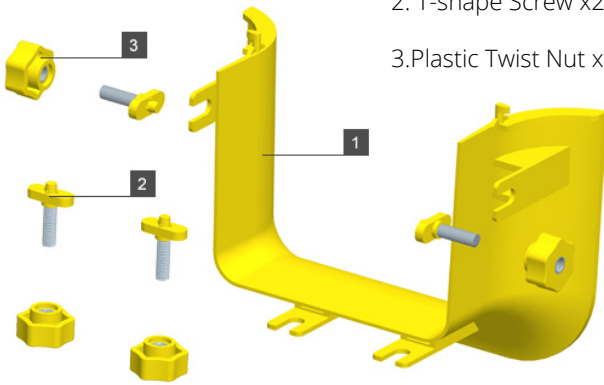
Giganet 120mm Trumpet Spillout kit Used to limit the bend radius of the cable to 2" (50.8mm) when exiting from 4"x5" channel, 4"x5" horizontal tee fitting, or 4"x5" exit on 4"x10" vertical tee.

FEATURES

- Network Reliability
- Reduction in installation time and cost
- Enable future expansion
- Flame retardant material rated GB/T2048-2008 FV-0
- RoHS and ABS compliant
- Ideal solution for optical raceway requirement and application



- 1. 120 Trumpet Spillout x1
- 2. T-shape Screw x2
- 3. Plastic Twist Nut x2



PRODUCT INFORMATION

Part Number	Product Description
GN-100-120-TS	Giganet 120mm Trumpet Spillout kit