

PRODUCT INFORMATION:

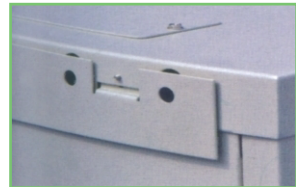
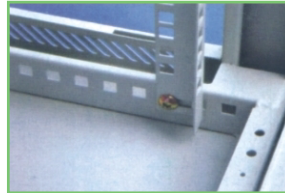
- One section wall mount rack.
- Frame structure, max loading 60kg.
- The frame can be moved according to the requirement.
- Wall and stand installation type, optional caster and support feet for stand installing.
- Quick open side door with lock easy to install and maintain
- Top and bottom wire path.
- Optional 120mm axial motor 1 piece or 2 pieces.

Material: SPCC quality cold rolled steel

Thickness: Square hole strips 1.5mm, others 1.2mm

Color: RAL9004 (Signal Black), RAL7044 (Silk Grey - on special orders)

Surface finish: degrease, acid pickling, rust prevention and parkerizing, pure water cleaning, static electricity plastic painting



CABINETS AND ENCLOSURES

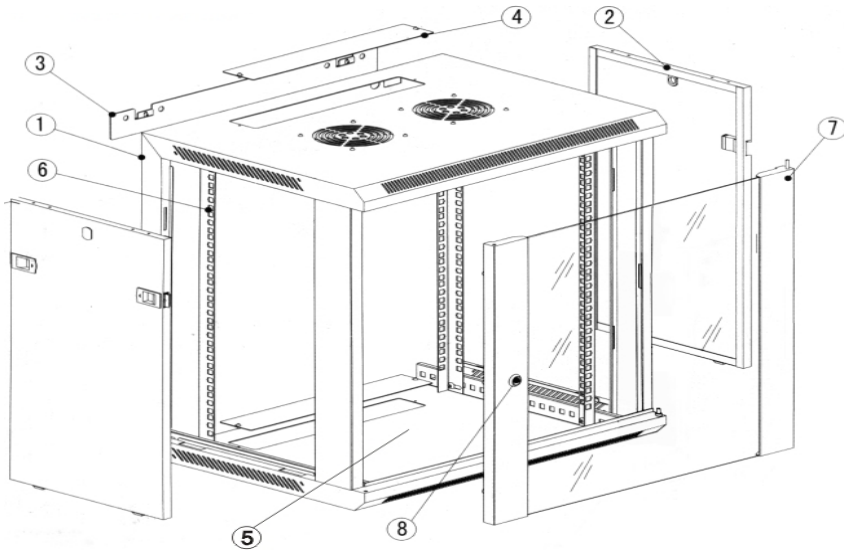
Single Section Wall Mount Cabinet

* Available in Glass door



STANDARD: Comply with ANSI/EIA RS-310-D, IEC297-2, DIN41491;
PART1, DIN41491; PART7, GB/T3047; 2-92STANDARD

SCHEMATICS:



1. The Frame
2. Side door
3. Wall bracket
4. The Top Cover
5. Bottom
6. Trail
7. Front door
8. Front door lock

Product Information - 600 x 600 - Assembled

| Part Number | Product Description |
|-------------|---|
| GN-007-6606 | Giganet 6U Width 600mm Depth 600mm Single Section Wall Mount Cabinet |
| GN-007-6609 | Giganet 9U Width 600mm Depth 600mm Single Section Wall Mount Cabinet |
| GN-007-6612 | Giganet 12U Width 600mm Depth 600mm Single Section Wall Mount Cabinet |
| GN-007-6615 | Giganet 15U Width 600mm Depth 600mm Single Section Wall Mount Cabinet |
| GN-007-6618 | Giganet 18U Width 600mm Depth 600mm Single Section Wall Mount Cabinet |