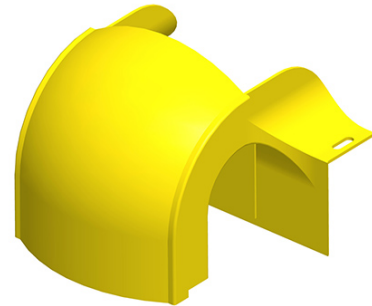


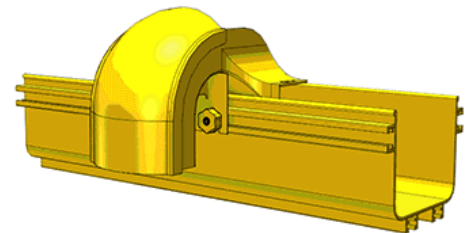
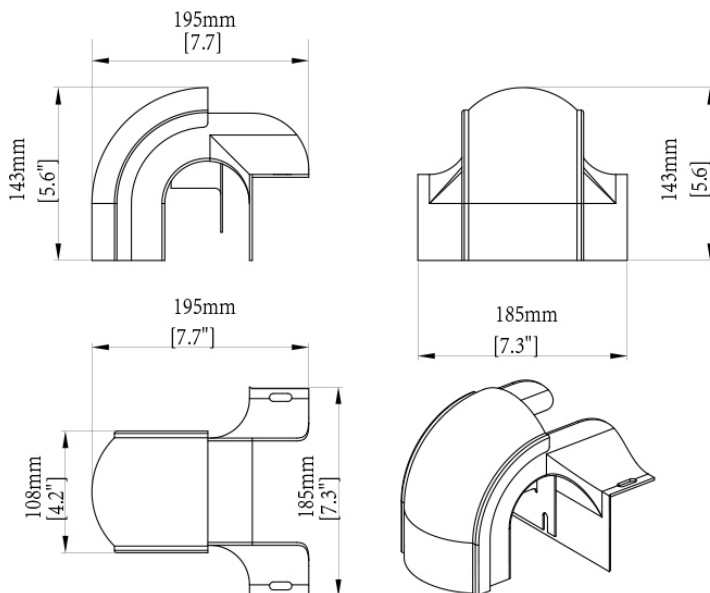
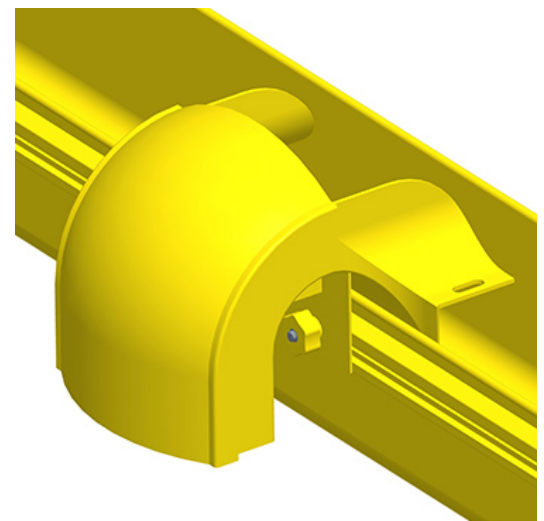
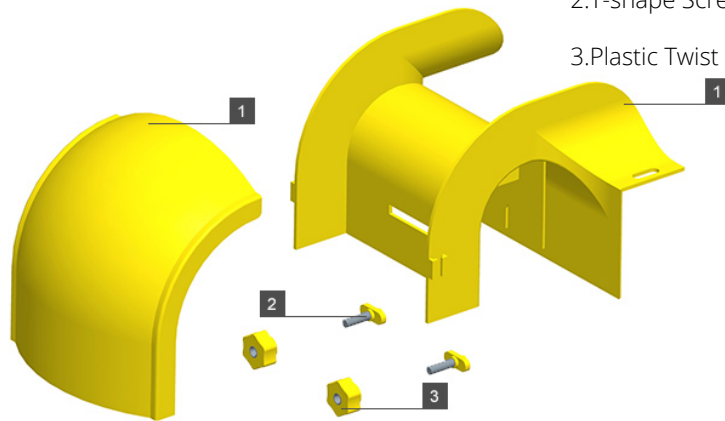
Giganet 130 Movable Exit Kit assembles onto 4"x5",4"x10",4"x15" channel, spilling over the side into a 130mm movable exit

**FEATURES**

- Network Reliability
- Reduction in installation time and cost
- Enable future expansion
- Flame retardant material rated GB/T2048-2008 FV-0
- RoHS and ABS compliant
- Ideal solution for optical raceway requirement and application



- 1.130 Movable Exit x1
- 2.T-shape Screw x2
- 3.Plastic Twist Nut x2



**PRODUCT INFORMATION**

Part Number	Product Description
GN-100-130-ME	Giganet 130 Movable Exit Kit