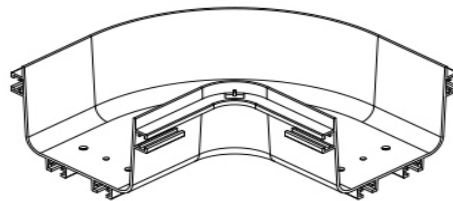
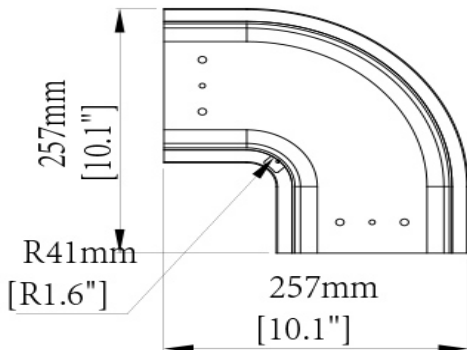
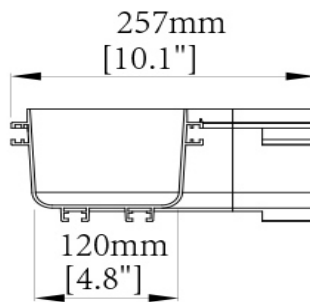
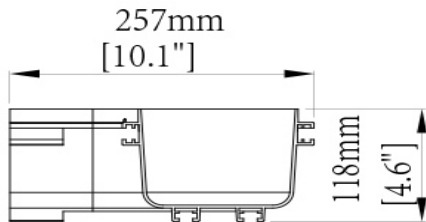
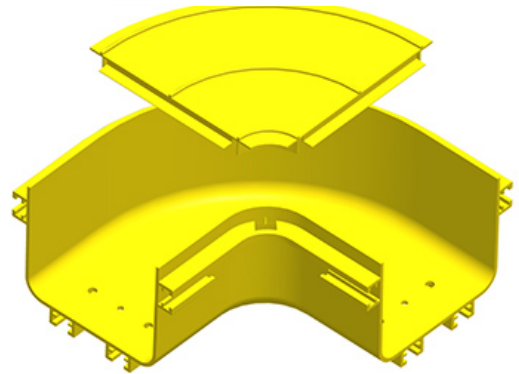


Giganet 120mm Horizontal Bend 90° attaches to 4"x5" channel and/or fittings to create a 90° horizontal bend from a straight horizontal run.

FEATURES	
Network Reliability	
Reduction in installation time and cost	
Enable future expansion	
Flame retardant material rated GB/T2048-2008 FV-0	
RoHS and ABS compliant	
Ideal solution for optical raceway requirement and application	



PRODUCT INFORMATION	
Part Number	Product Description
GN-100-120-HB90°	Giganet 120mm Horizontal Bend 90°
GN-100-120-HB90°-CV	Giganet 120mm Horizontal Bend 90° Cover