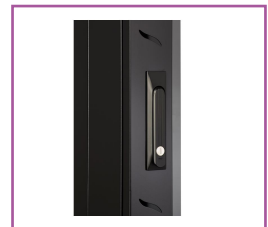


- Elegance look, profound technical, precise dimension with modern taste.
- Maximum loading 800kg.
- Wire path on the top and bottom can be closed.
- Install caster and support at the same time.
- Optional bottom seat for stable stand, bottom wiring, bottom cold ventilation.
- Side door and rear / front door can be taken down easily.
- Can be customized to individual requirements.
- The frame can be removed according to requirement, "U" that is marked in the frame.
- Detachable composite structure, more convenient for being shipped.

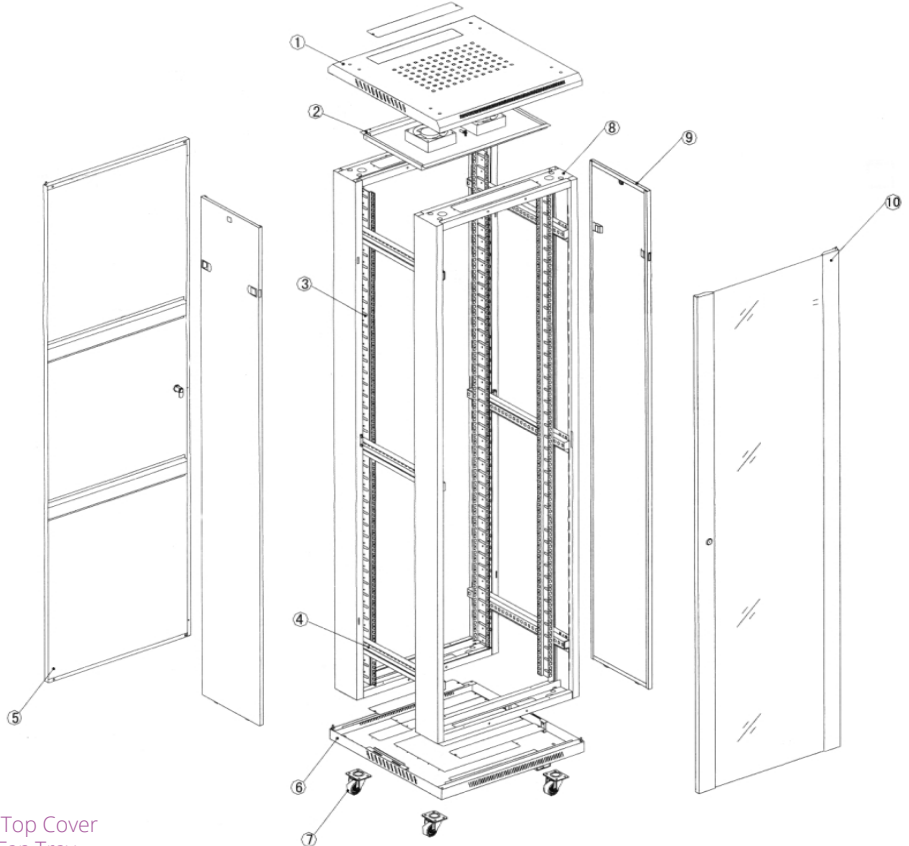


### PRODUCT INFORMATION

Part Number	Product Description
GN-002-6618	Giganet 18U Width 600mm Depth 600mm Glass Door Cabinet
GN-002-6818	Giganet 18U Width 600mm Depth 800mm Glass Door Cabinet
GN-002-8818	Giganet 18U Width 800mm Depth 800mm Glass Door Cabinet

STANDARD: Comply with ANSI/EIA RS-310-D, IEC297-2, DIN41494;  
PART1, DIN41494; PART7, GB/T3047; 2-92STANDARD

**SCHEMATICS:**



1. Top Cover
2. Fan Tray
3. Trail
4. Connector bar
5. Rear door
6. Bottom
7. Castor
8. Frame
9. Side door
10. Front door

Material: SPCC quality cold rolled steel

Thickness: Square hole strips 2.0mm, others 1.2mm

Color: RAL9004 (Signal Black),

RAL7044 (Silk Grey - on special order)

Surface finish: degrease, acid pickling, rust prevention and parkerizing, pure water cleaning, static electricity plastic painting