

PRODUCT INFORMATION:

- Double section wall mount rack.
- Frame structure, max loading 60kg.
- The frame can be moved according to the requirement.
- Wall and stand installation type, optional caster and support feet for stand installing.
- Quick open side door with lock easy to install and maintain, back door can choose right or left close.
- Top and bottom wire path.
- Optional 120mm axial motor 1 piece or 2 pieces.

Material: SPCC quality cold rolled steel

Thickness: Square hole strips 1.5mm, others 1.2mm

Color: RAL9004 (Signal Black), RAL7044 (Silk Grey - on special orders)

Surface finish: degrease, acid pickling, rust prevention and parkerizing, pure water cleaning, static electricity plastic painting



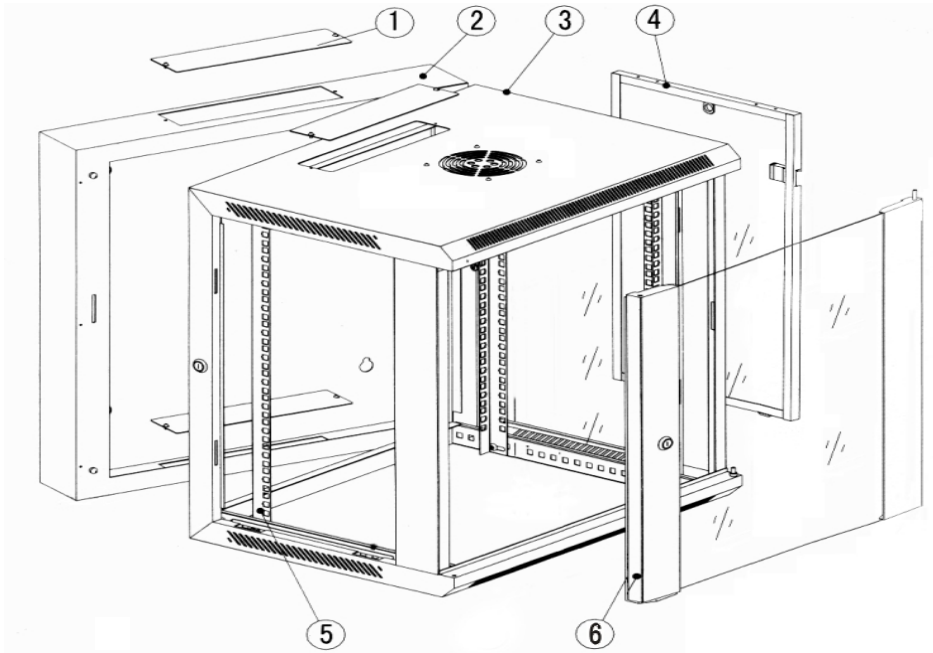
Dual Section Wall Mount Cabinet

* Available in Glass door



STANDARD: Comply with ANSI/EIA RS-310-D, IEC297-2, DIN41491;
PART1, DIN41491; PART7, GB/T3047; 2-92STANDARD

SCHEMATICS:



1. The Top Cover for the back section
2. The Top Cover for the front section
3. The Top
4. Side door
5. Trail
6. Front door

Product Information - 600 x 600 - Assembled

Part Number	Product Description
GN-006-6606	Giganet 6U Width 600mm Depth 600mm Double Section Wall Mount Cabinet
GN-006-6609	Giganet 9U Width 600mm Depth 600mm Double Section Wall Mount Cabinet
GN-006-6612	Giganet 12U Width 600mm Depth 600mm Double Section Wall Mount Cabinet
GN-006-6615	Giganet 15U Width 600mm Depth 600mm Double Section Wall Mount Cabinet
GN-006-6618	Giganet 18U Width 600mm Depth 600mm Double Section Wall Mount Cabinet