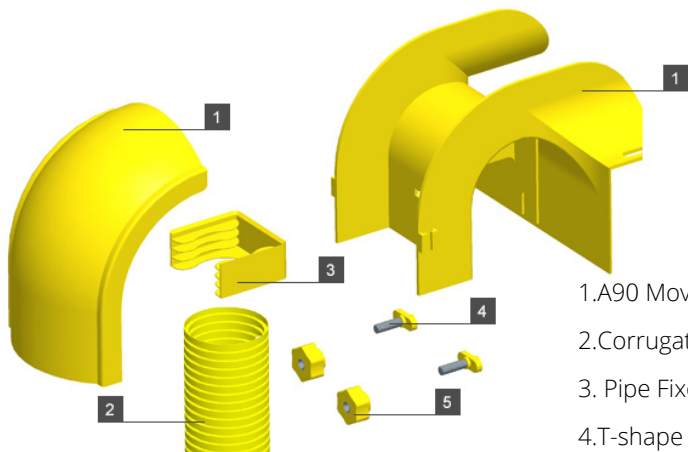
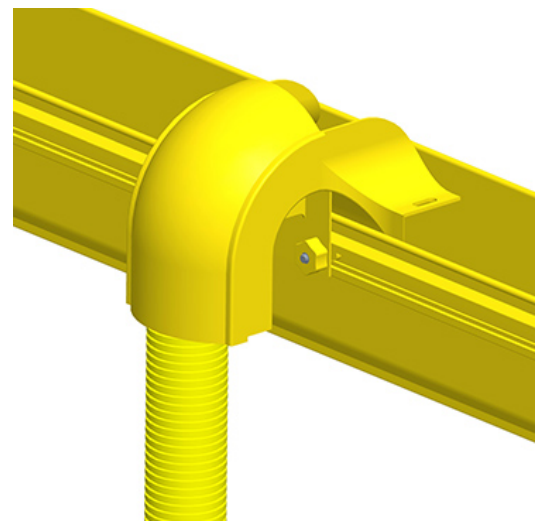
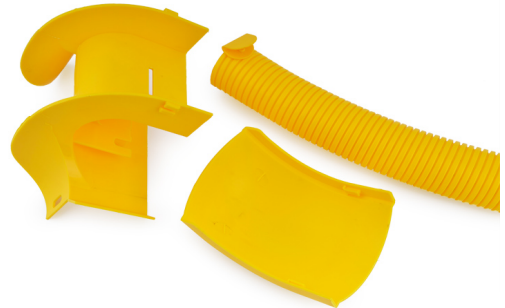
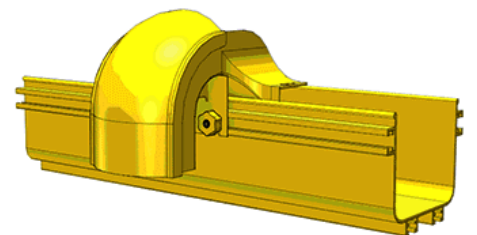
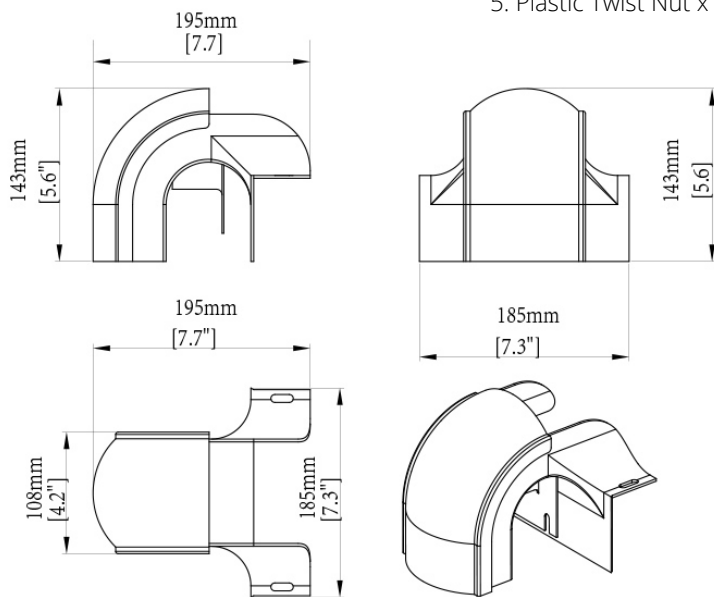


Giganet 90 Movable Exit with corrugated pipe Kit assembles onto 4"x5",4"x10",4"x15" channel, spilling over the side into a 90mm movable exit with corrugated pipe

FEATURES
Network Reliability
Reduction in installation time and cost
Enable future expansion
Flame retardant material rated GB/T2048-2008 FV-0
RoHS and ABS compliant
Ideal solution for optical raceway requirement and application



- 1. A90 Movable Exit x1
- 2. Corrugated Pipe x1
- 3. Pipe Fixer x1
- 4. T-shape Screw x2
- 5. Plastic Twist Nut x



PRODUCT INFORMATION	
Part Number	Product Description
GN-100-90-ME-CP	Giganet 90 Movable Exit with corrugated pipe Kit