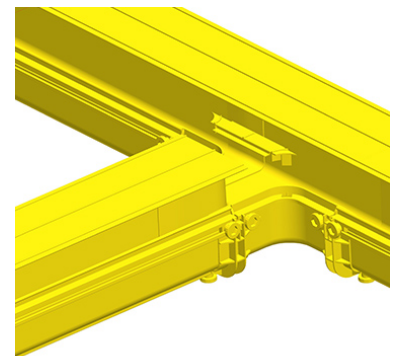
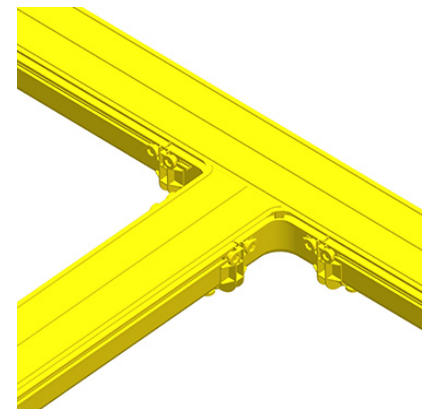
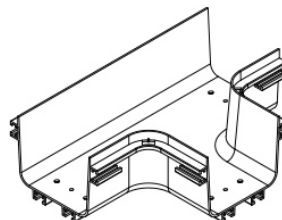
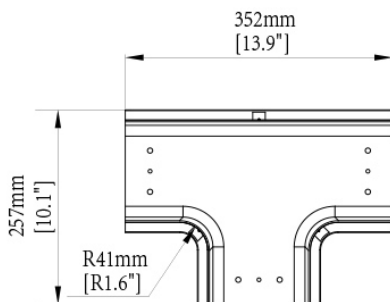
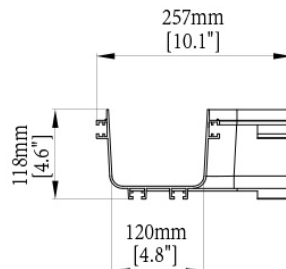
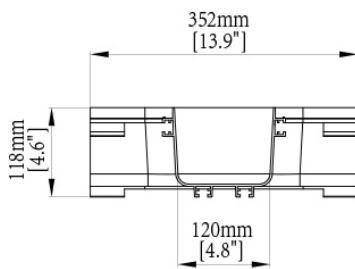
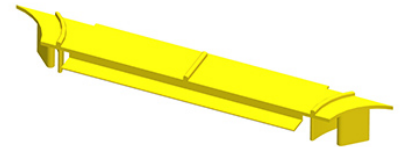
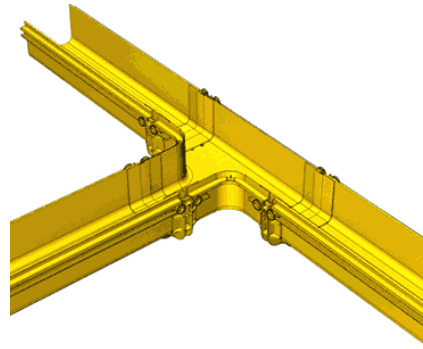
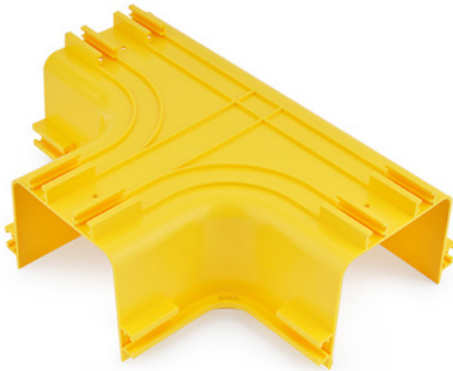
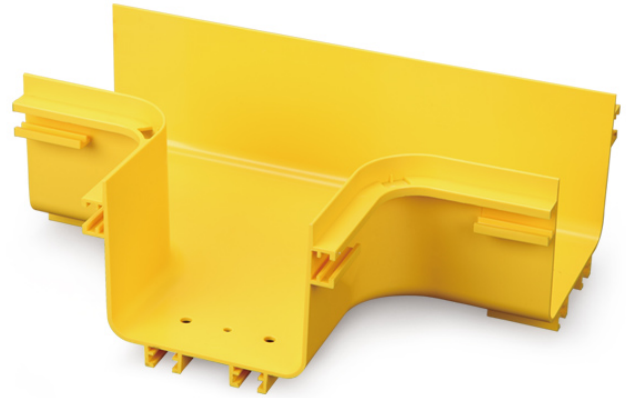


Giganet 120mm Horizontal Tee attaches to 4"x5" channel and/or fittings to create a 90° horizontal branch from a straight horizontal run.

FEATURES

- Network Reliability
- Reduction in installation time and cost
- Enable future expansion
- Flame retardant material rated GB/T2048-2008 FV-0
- RoHS and ABS compliant
- Ideal solution for optical raceway requirement and application



PRODUCT INFORMATION

Part Number	Product Description
GN-100-120-HT	Giganet 120mm Horizontal Tee
GN-100-120-HT-CV	Giganet 120mm Horizontal Tee Cover