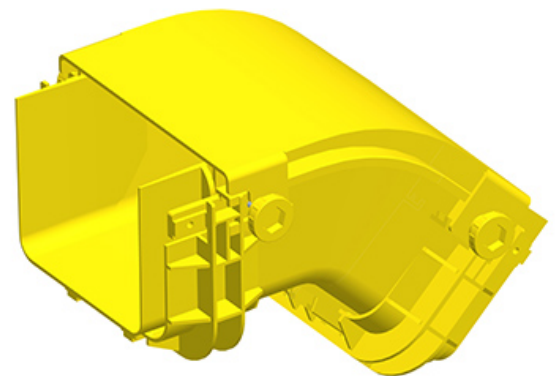
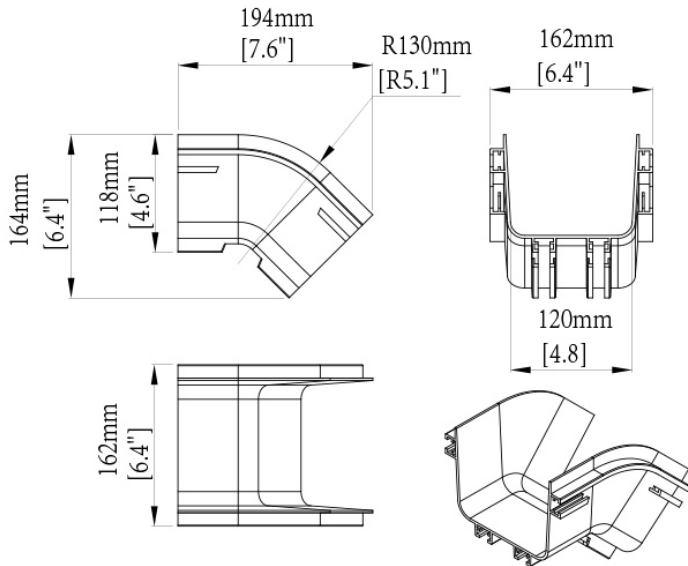
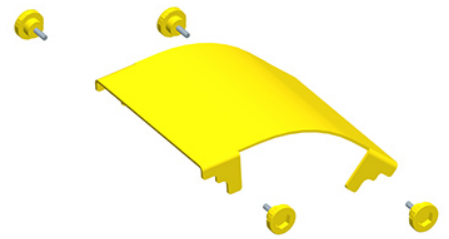
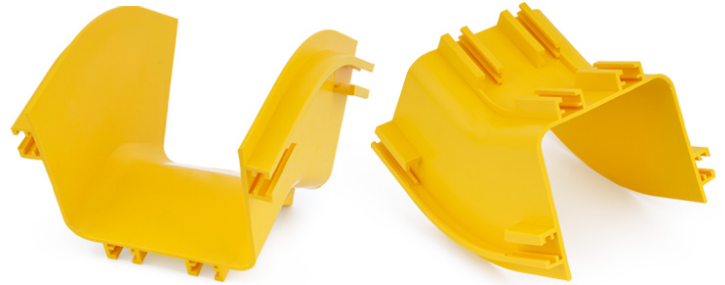


Giganet 120mm External Raiser 45° attaches to 4"x5" channel and/or fitting to create a 45° downward angle from a straight horizontal run. Used with 45° up elbow to change the level of a horizontal run.

FEATURES	
Network Reliability	
Reduction in installation time and cost	
Enable future expansion	
Flame retardant material rated GB/T2048-2008 FV-0	
RoHS and ABS compliant	
Ideal solution for optical raceway requirement and application	



**PRODUCT INFORMATION**

Part Number	Product Description
GN-100-120-ER45°	Giganet 120mm External Raiser 45°
GN-100-120-ER45°-CV	Giganet 120mm External Raiser 45° Cover